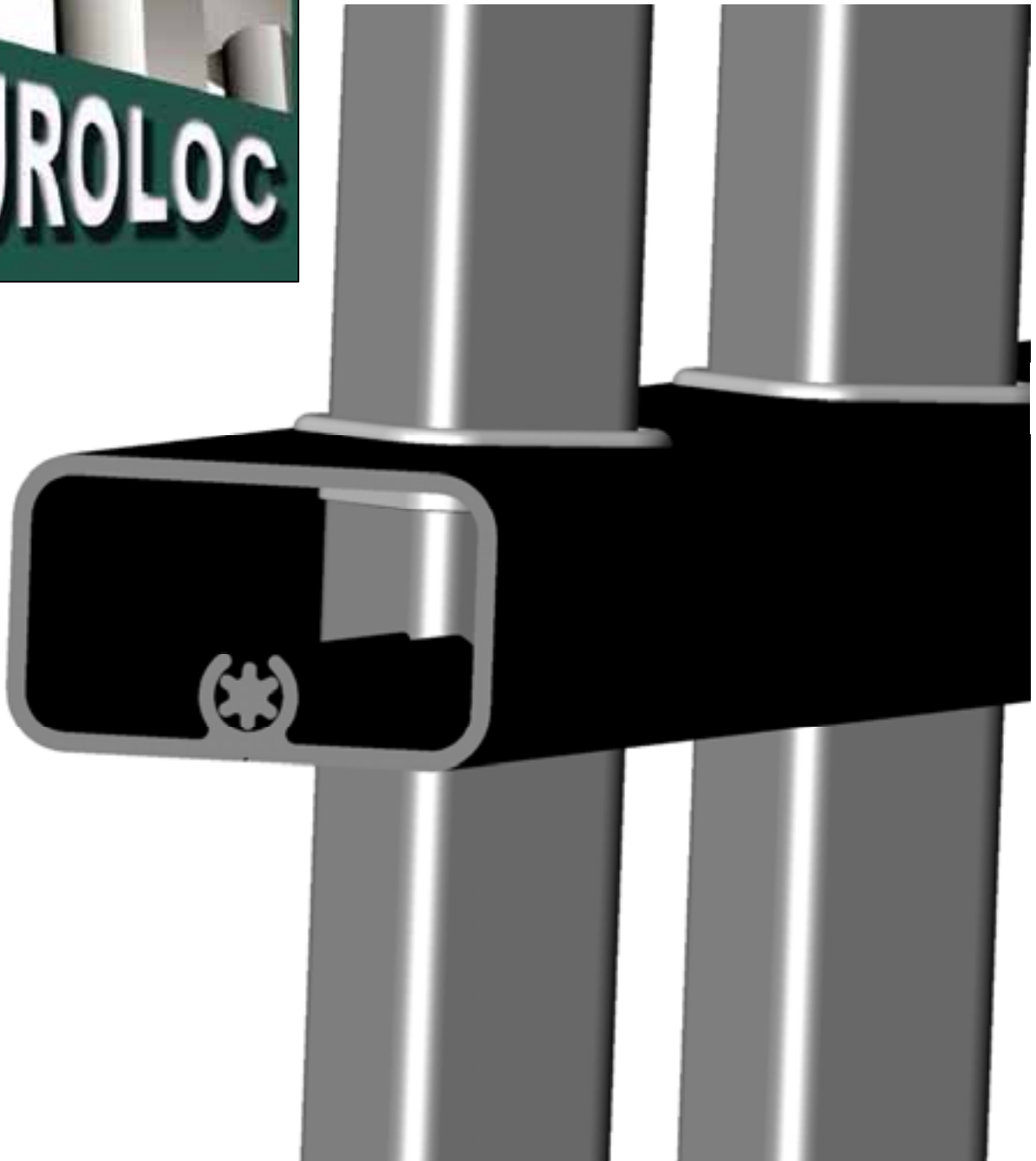


Euro Loc Patented

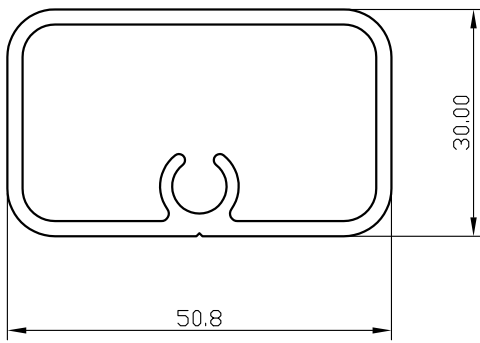
Commercial Fencing System



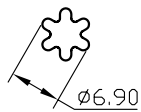
- 10 Year Warranty - Power Coated Aluminium -



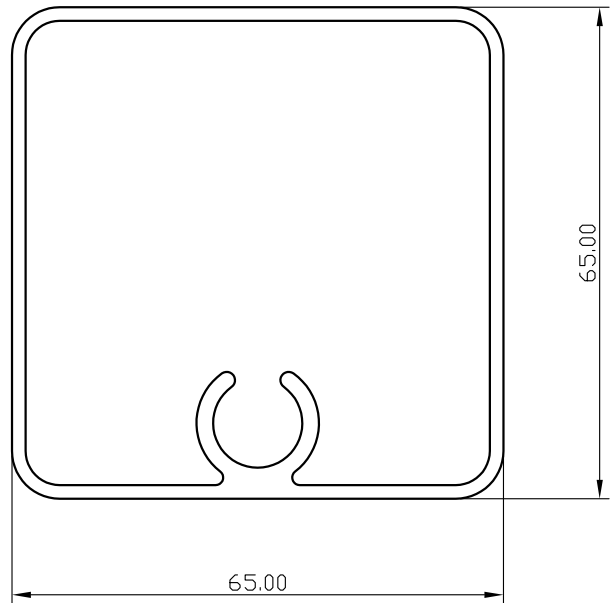
Detailed Sections



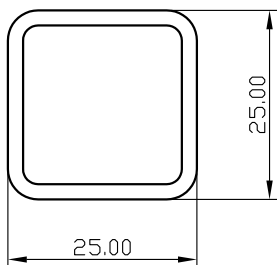
ELM80074/A
COMMERCIAL RAIL



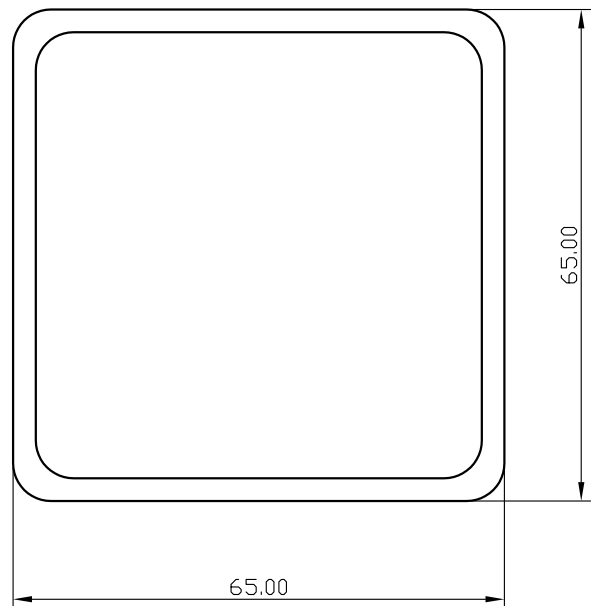
ELRL80609
6.9mm ROD LOC



ELM80379
65mm COMMERCIAL GATE POST



EL4033
25mm COMMERCIAL BALUSTER



EL4150
65mm COMMERCIAL POST



Extruded Sections

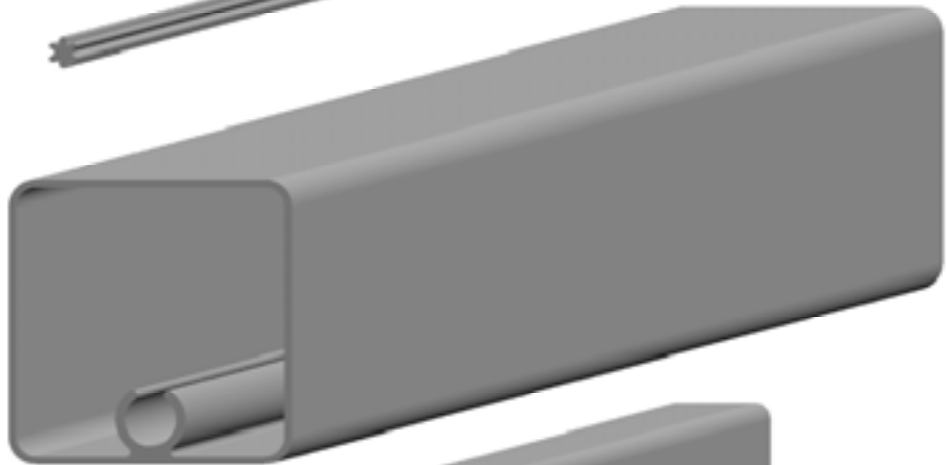
ELM80074/A
COMMERCIAL RAIL



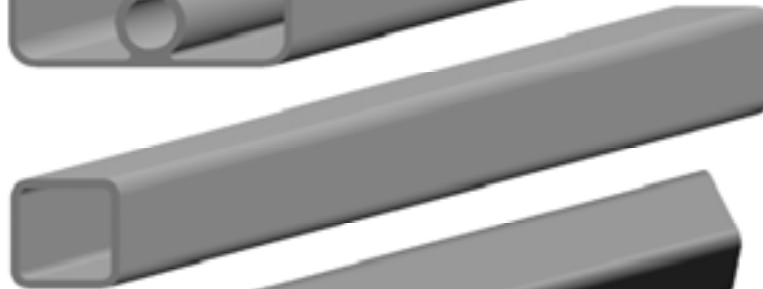
ELRL80609
Ø6.9mm ROD LOC



ELM80379
65mm COMMERCIAL GATE POST



EL4033
25mm COMMERCIAL FLAT TOP
BALUSTER



EL4033PT
25mm COMMERCIAL PRESS TOP
BALUSTER



EL4150
65mm COMMERCIAL POST

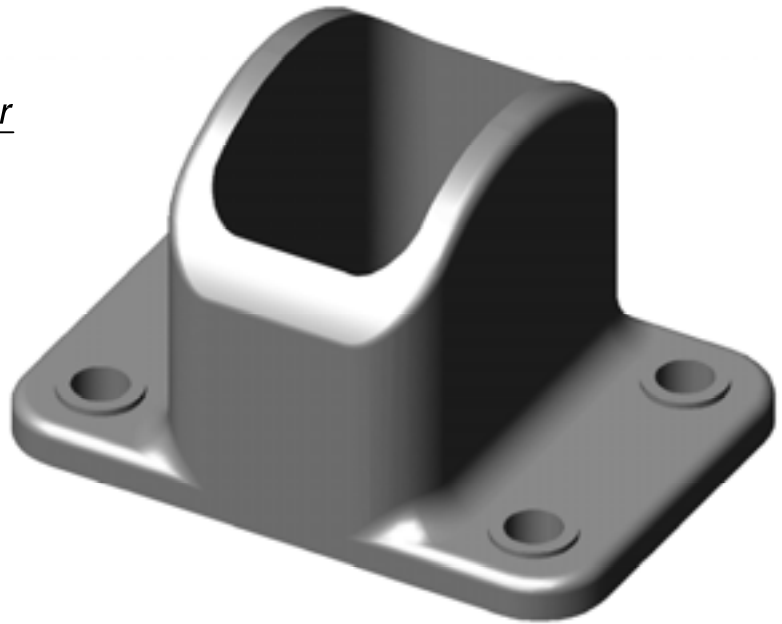




Hardware



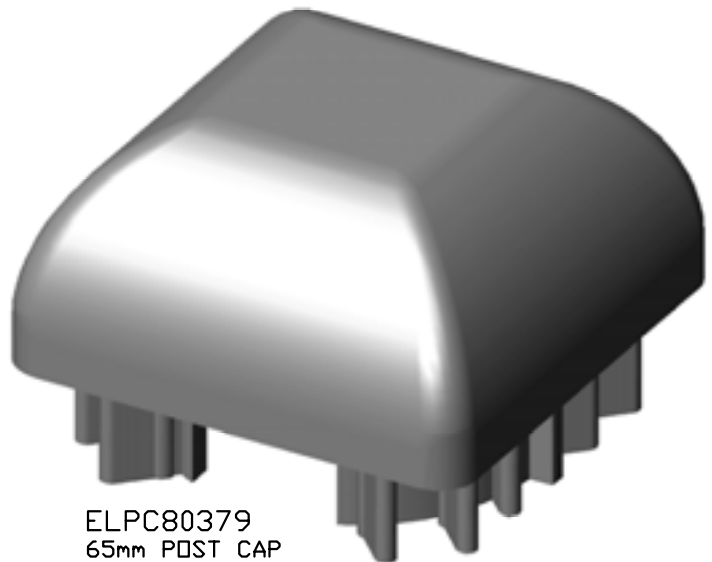
Ø12mm x 100mm
GATE PIN



ELS80074/A
COMMERCIAL SHROUD



ELAS4033
25mm ANTI SCRATCH CAP



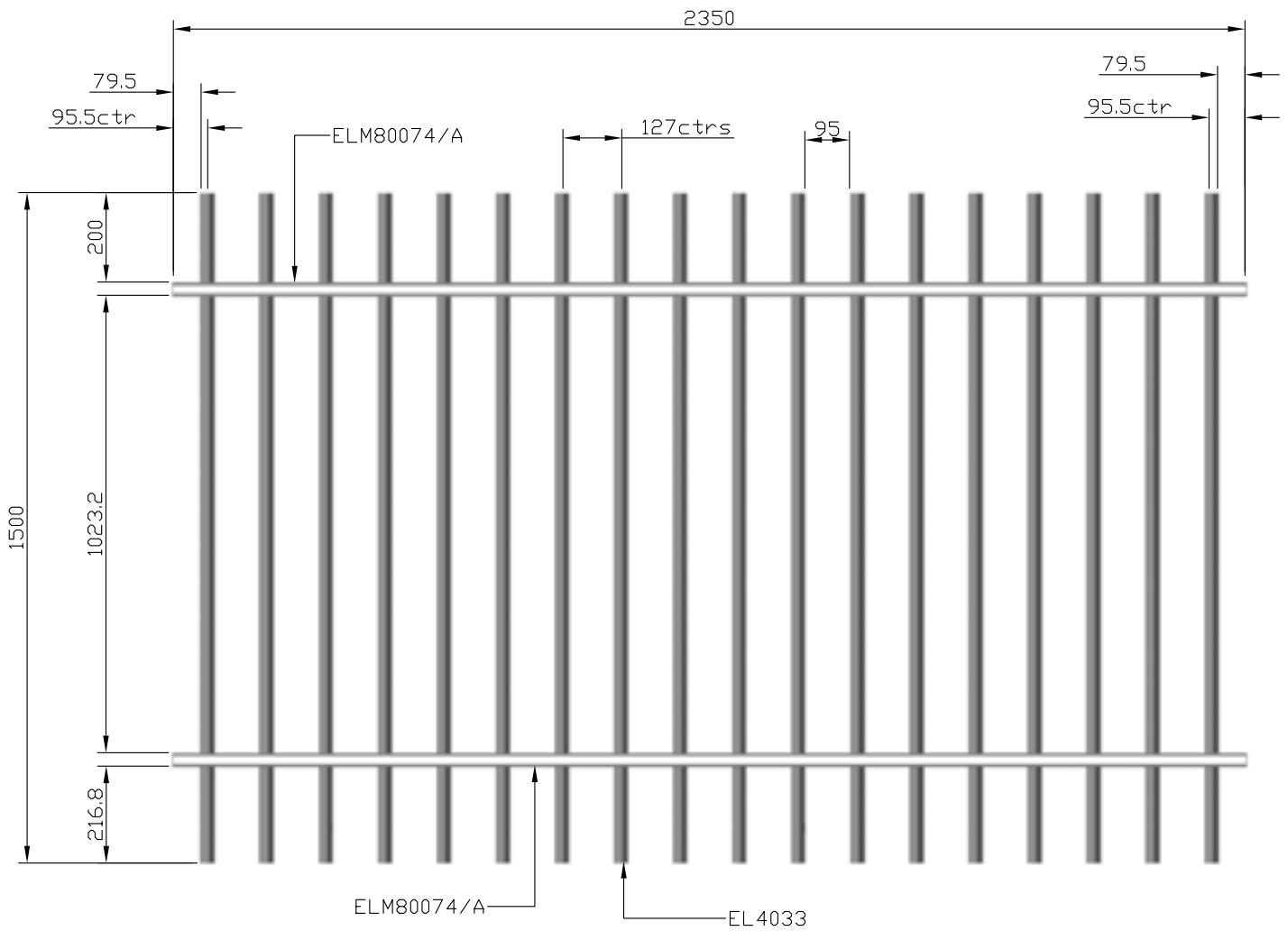
ELPC80379
65mm POST CAP



ELBC4033
25mm BALUSTER CAP



Detailed 2350x1500 Flat Top Panel



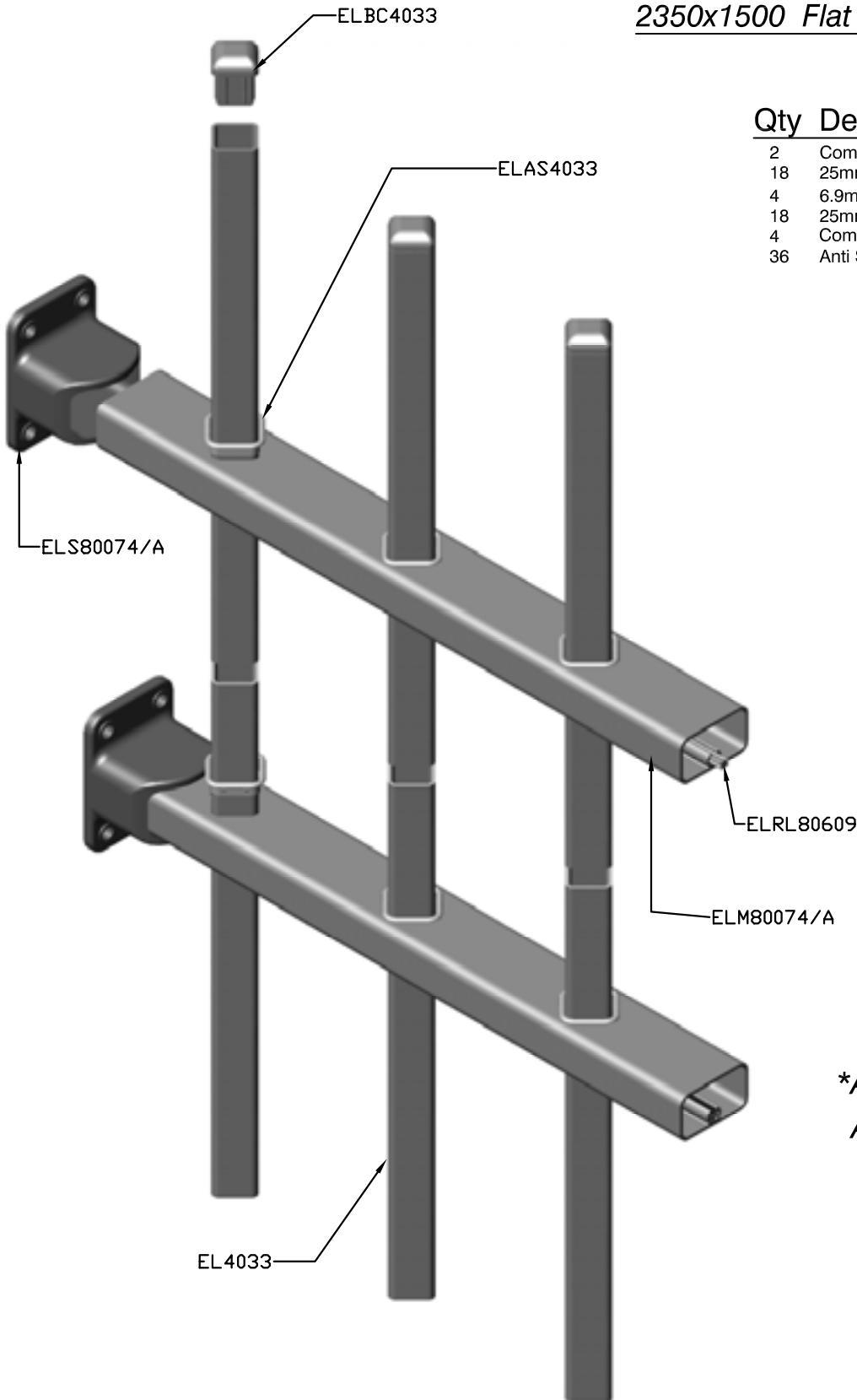
Approved Pool Fencing
AS 1926-1 (1993)



2350x1500 Flat Top Panel

Parts

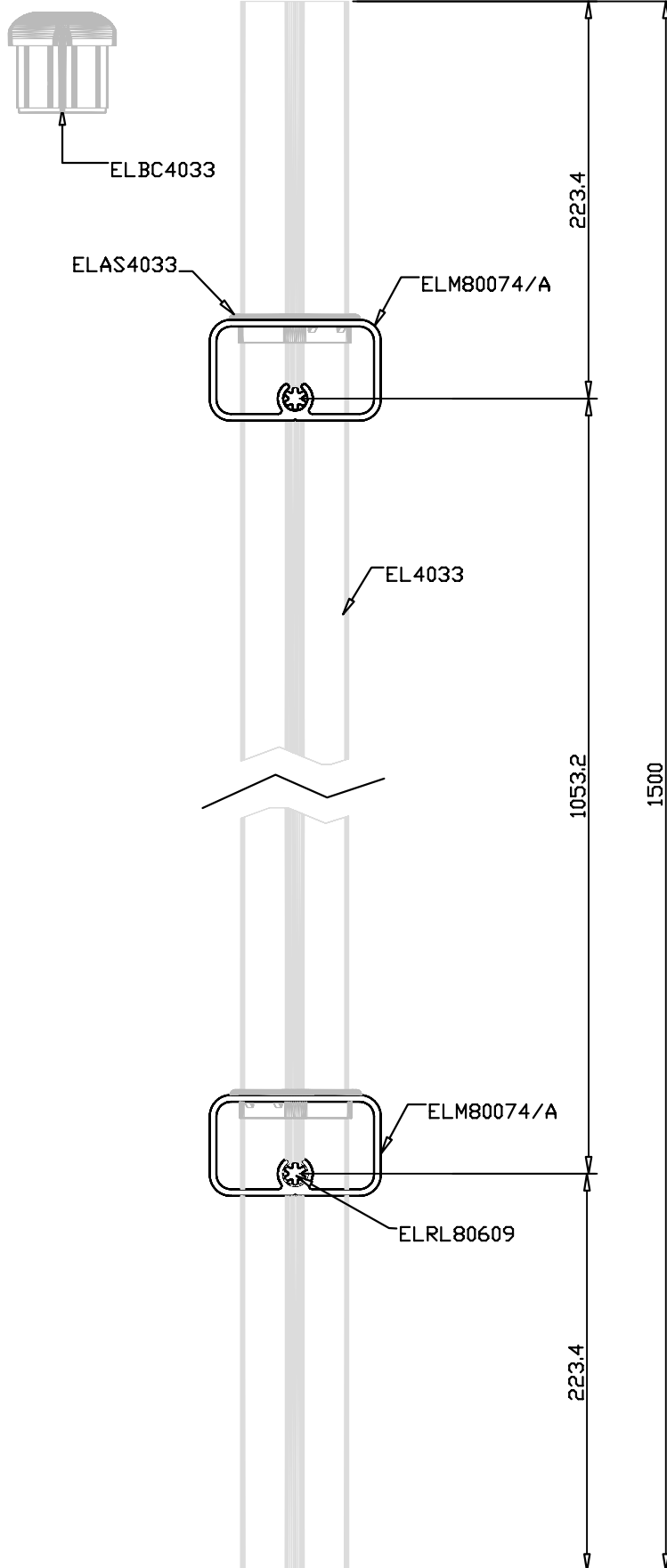
Qty	Description	Prod.No
2	Commercial Rail	ELM80074/A
18	25mm Flat Top Baluster	EL4033
4	6.9mm Rod Loc	ELRL80609
18	25mm Baluster Cap	ELBC4033
4	Commercial Shroud	ELS80074/A
36	Anti Scratch Cap	ELAS4033



Approved Pool Fencing
AS 1926-1 (1993)



Commercial Fencing System



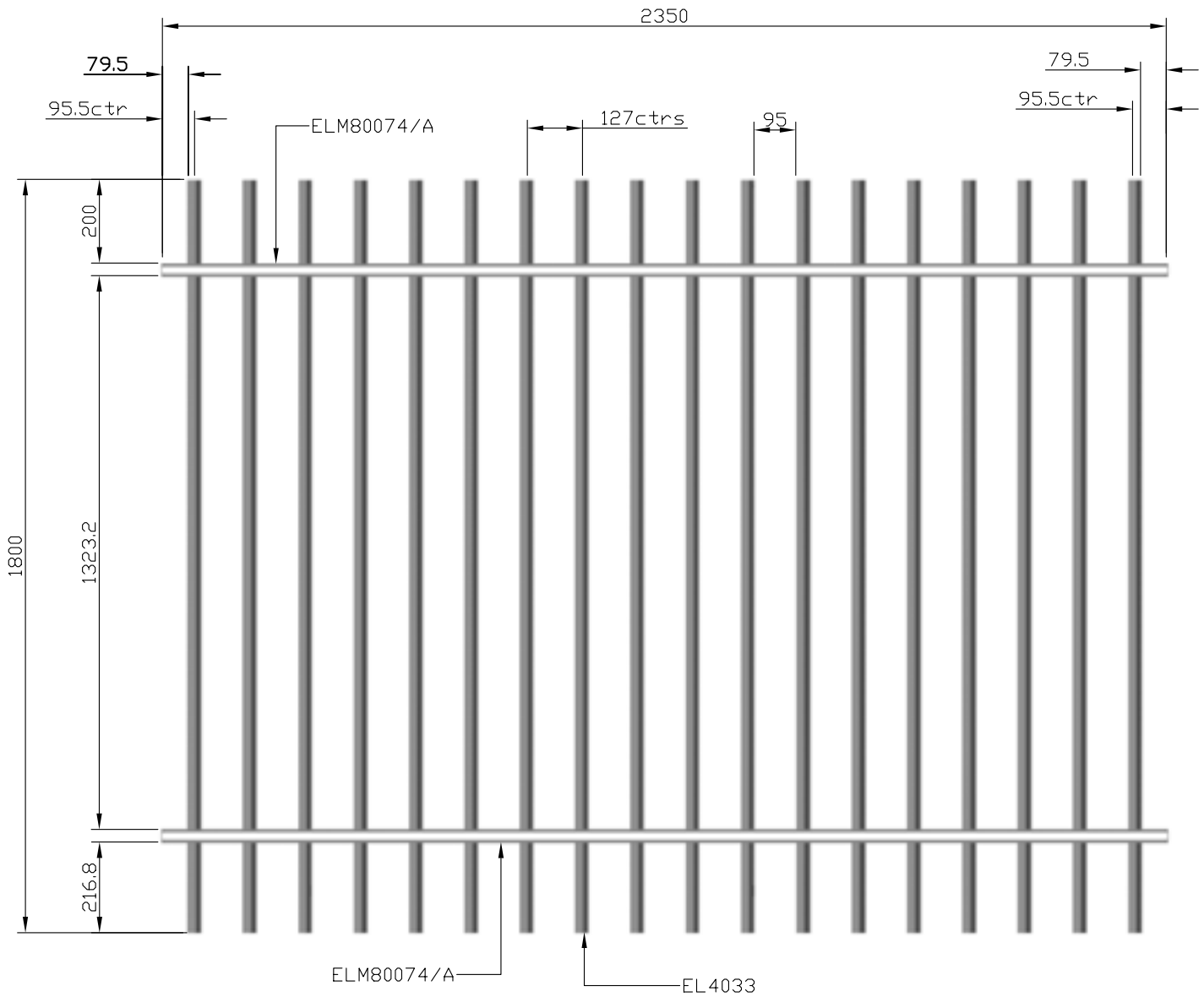
End View
2350x1500 Flat Top Panel

Approved Pool Fencing
AS 1926-1 (1993)

Euro Loc Patented



Detailed 2350x1800 Flat Top Panel

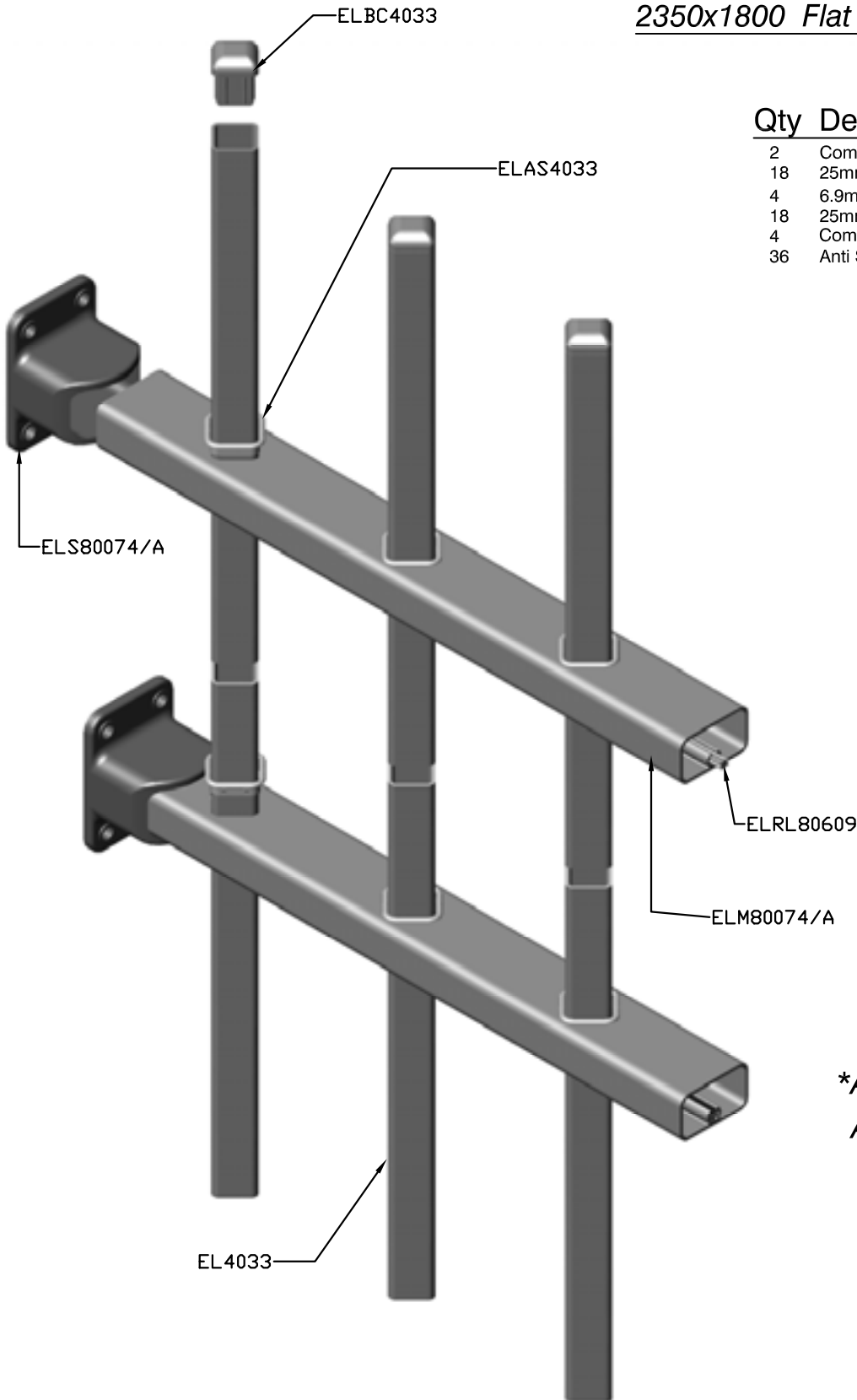




2350x1800 Flat Top Panel

Parts

Qty	Description	Prod.No
2	Commercial Rail	ELM80074/A
18	25mm Flat Top Baluster	EL4033
4	6.9mm Rod Loc	ELRL80609
18	25mm Baluster Cap	ELBC4033
4	Commercial Shroud	ELS80074/A
36	Anti Scratch Cap	ELAS4033



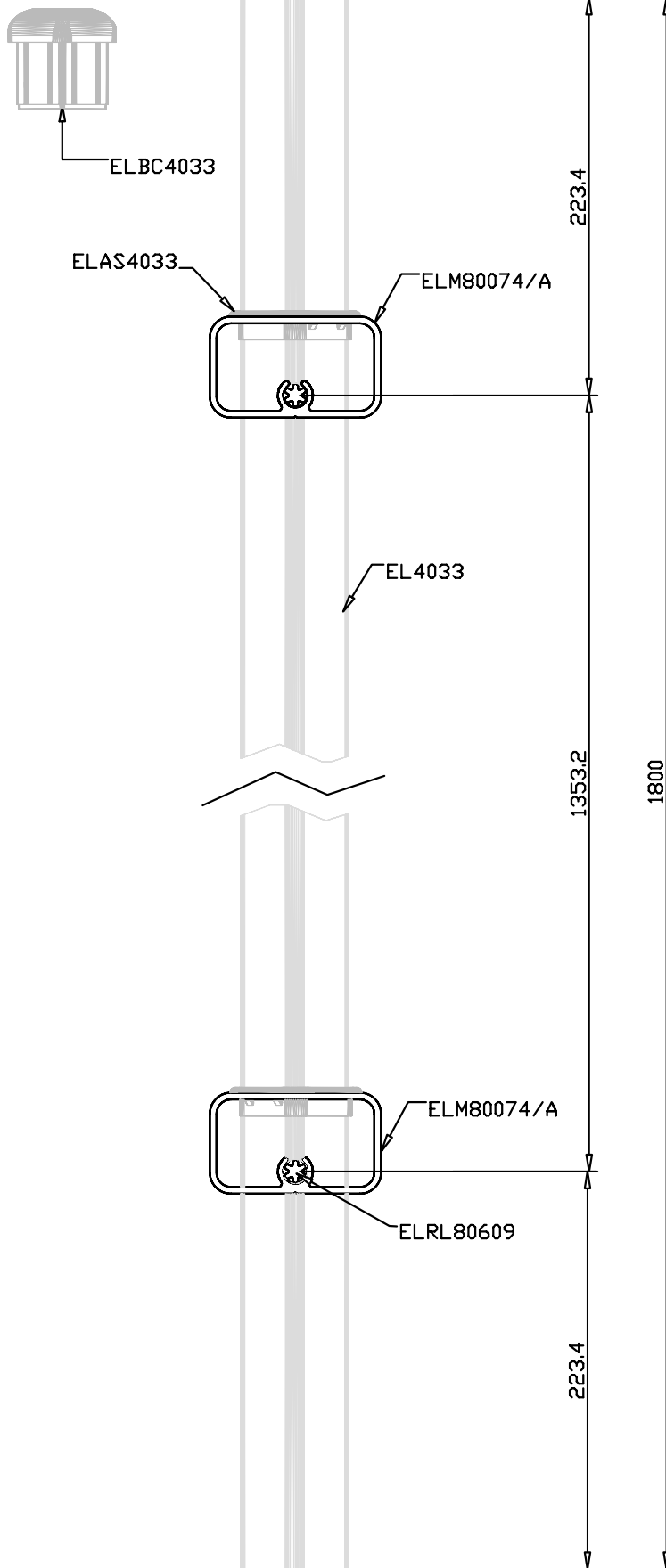
Approved Pool Fencing
AS 1926-1 (1993)

Euro Loc Patented

Commercial Fencing System



Commercial Fencing System

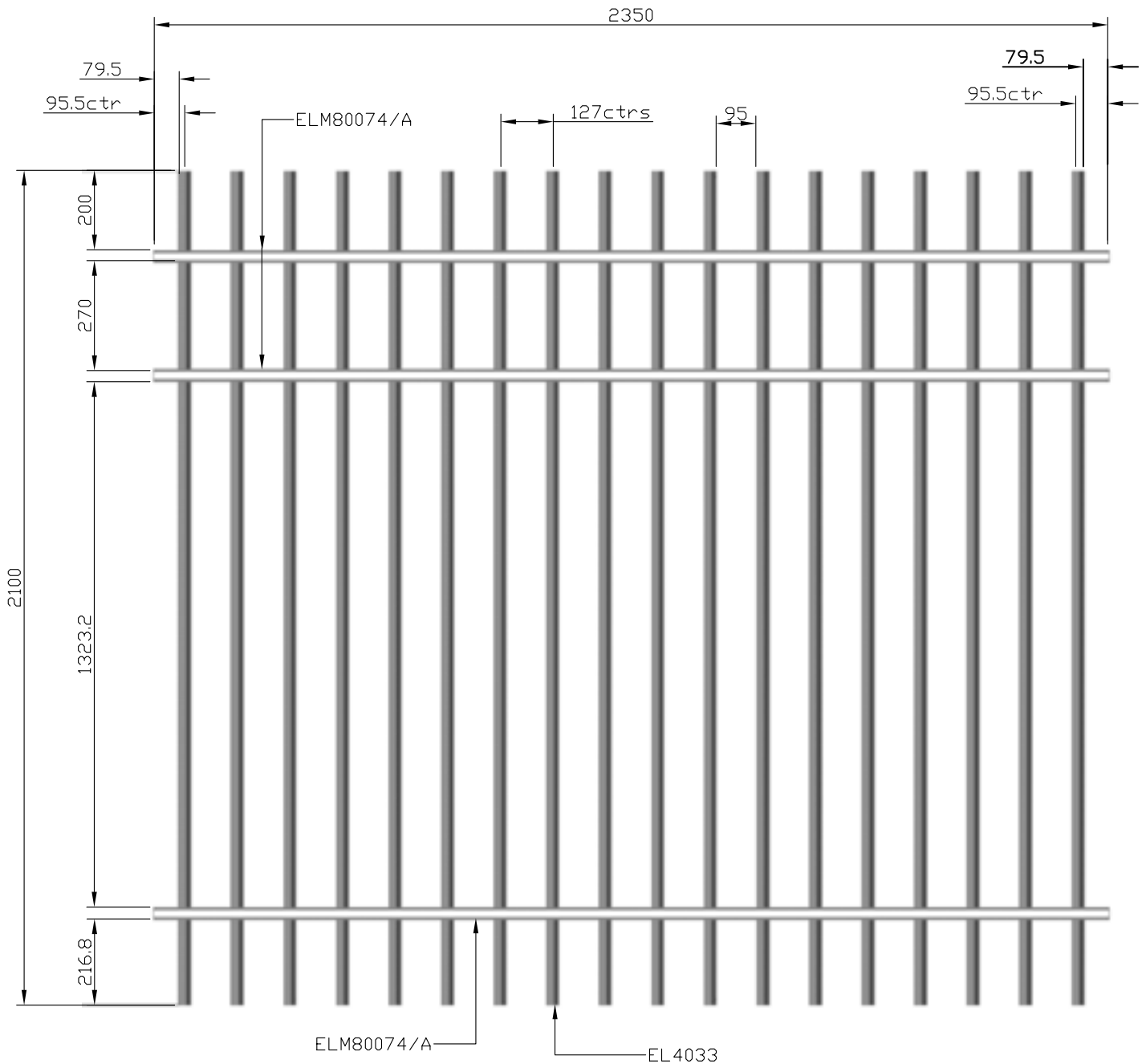


End View
2350x1800 Flat Top Panel

Euro Loc Patented



Detailed 2350x2100 3 Rail Flat Top Panel

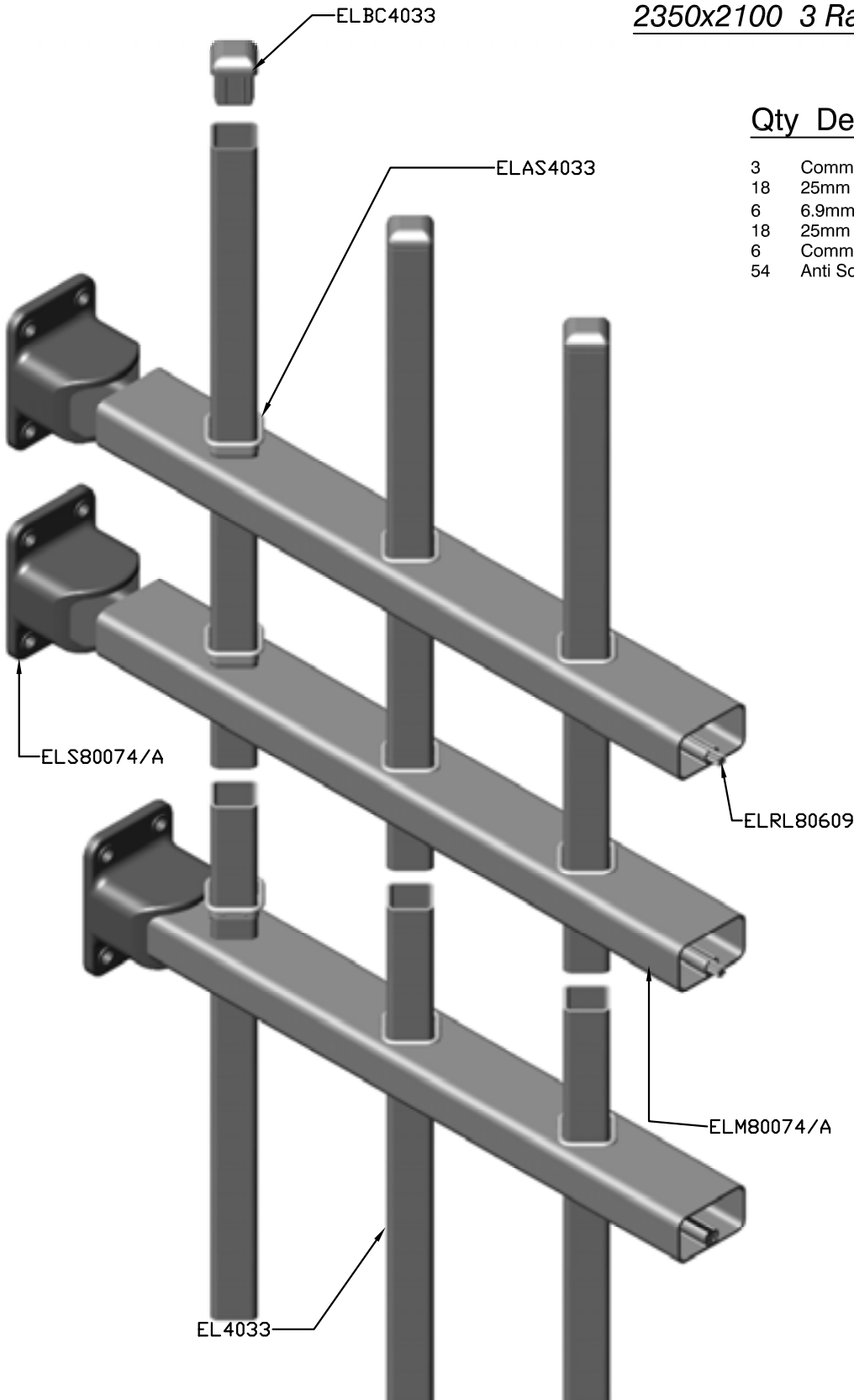




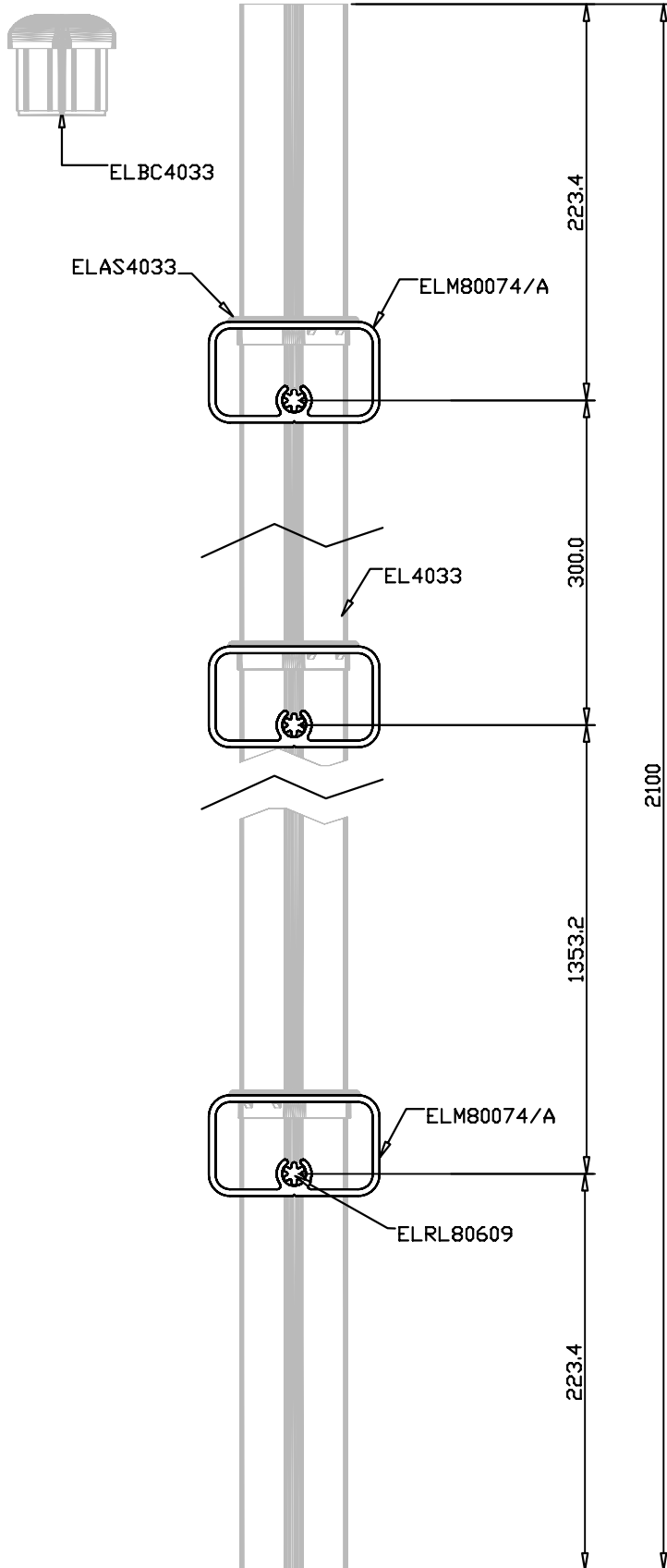
2350x2100 3 Rail Flat Top Panel

Parts

Qty	Description	Prod.No
3	Commercial Rail	ELM80074/A
18	25mm Flat Top Baluster	EL4033
6	6.9mm Rod Loc	ELRL80609
18	25mm Baluster Cap	ELBC4033
6	Commercial Shroud	ELS80074/A
54	Anti Scratch Cap	ELAS4033



Euro Loc Patented

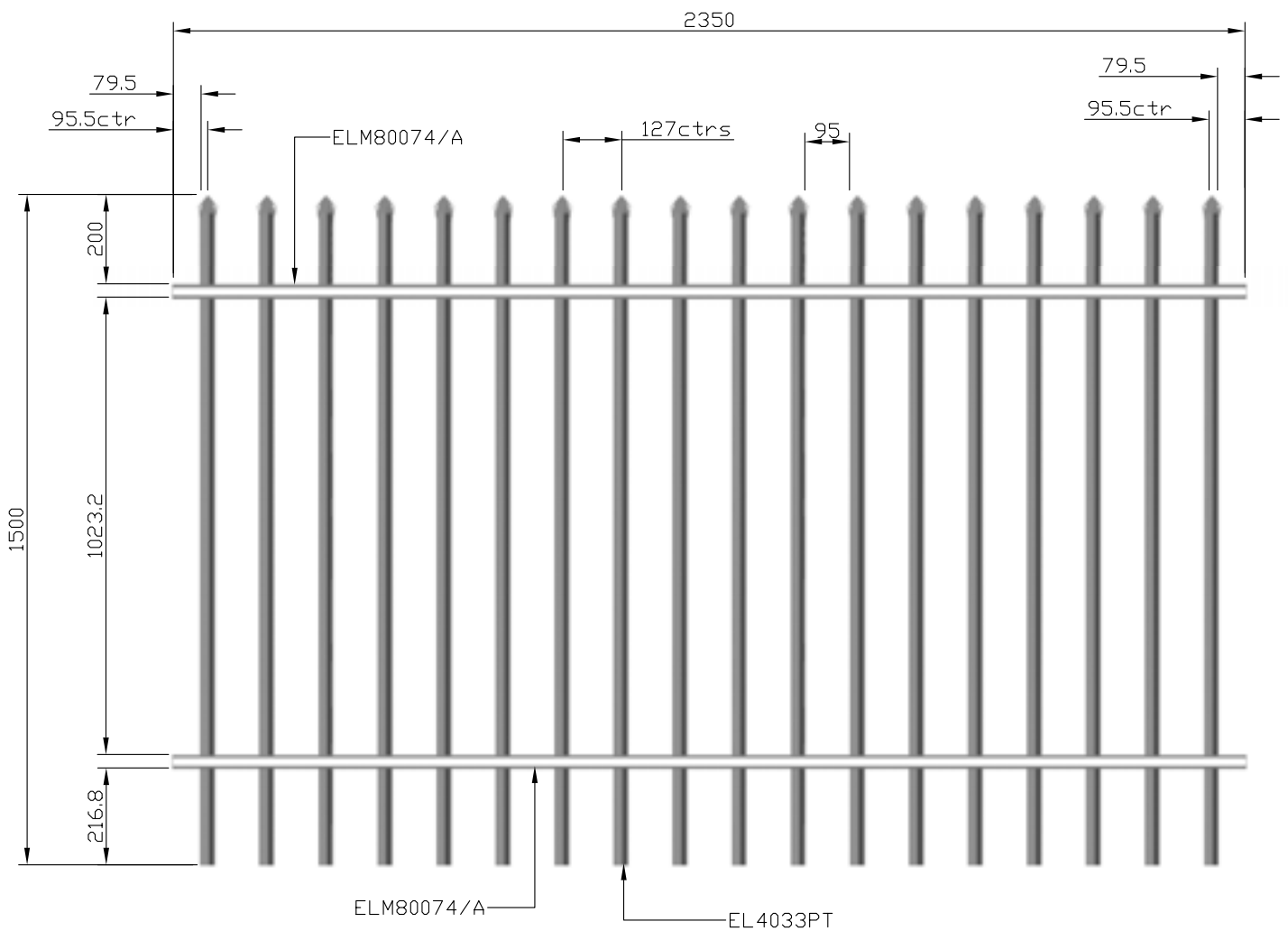


End View

2350x2100 3 Rail Flat Top Panel



Detailed 2350x1500 Press Top Panel



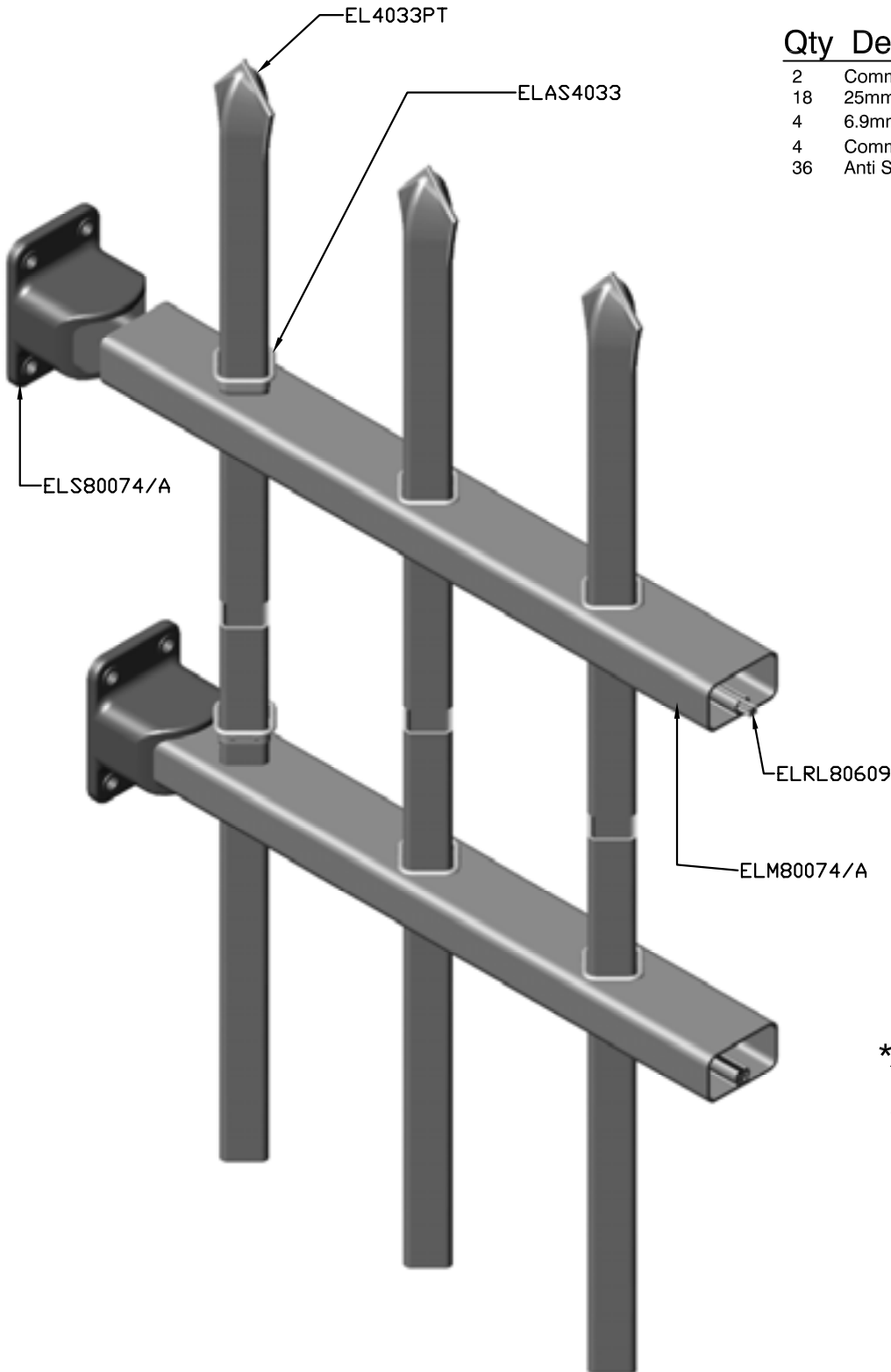
Approved Pool Fencing
AS 1926-1 (1993)



2350x1500 Press Top Panel

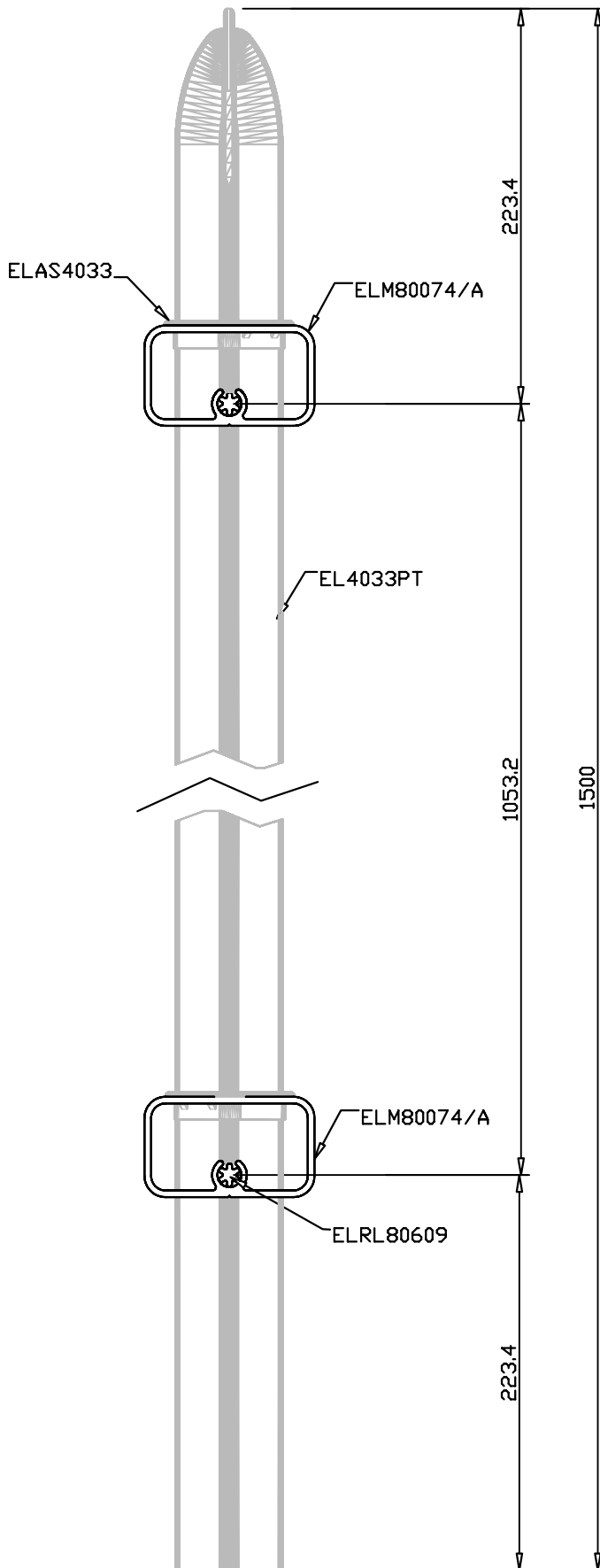
Parts

Qty	Description	Prod.No
2	Commercial Rail	ELM80074/A
18	25mm Press Top Baluster	EL4033PT
4	6.9mm Rod Loc	ELRL80609
4	Commercial Shroud	ELS80074/A
36	Anti Scratch Cap	ELAS4033



Approved Pool Fencing
AS 1926-1 (1993)

Euro Loc Patented



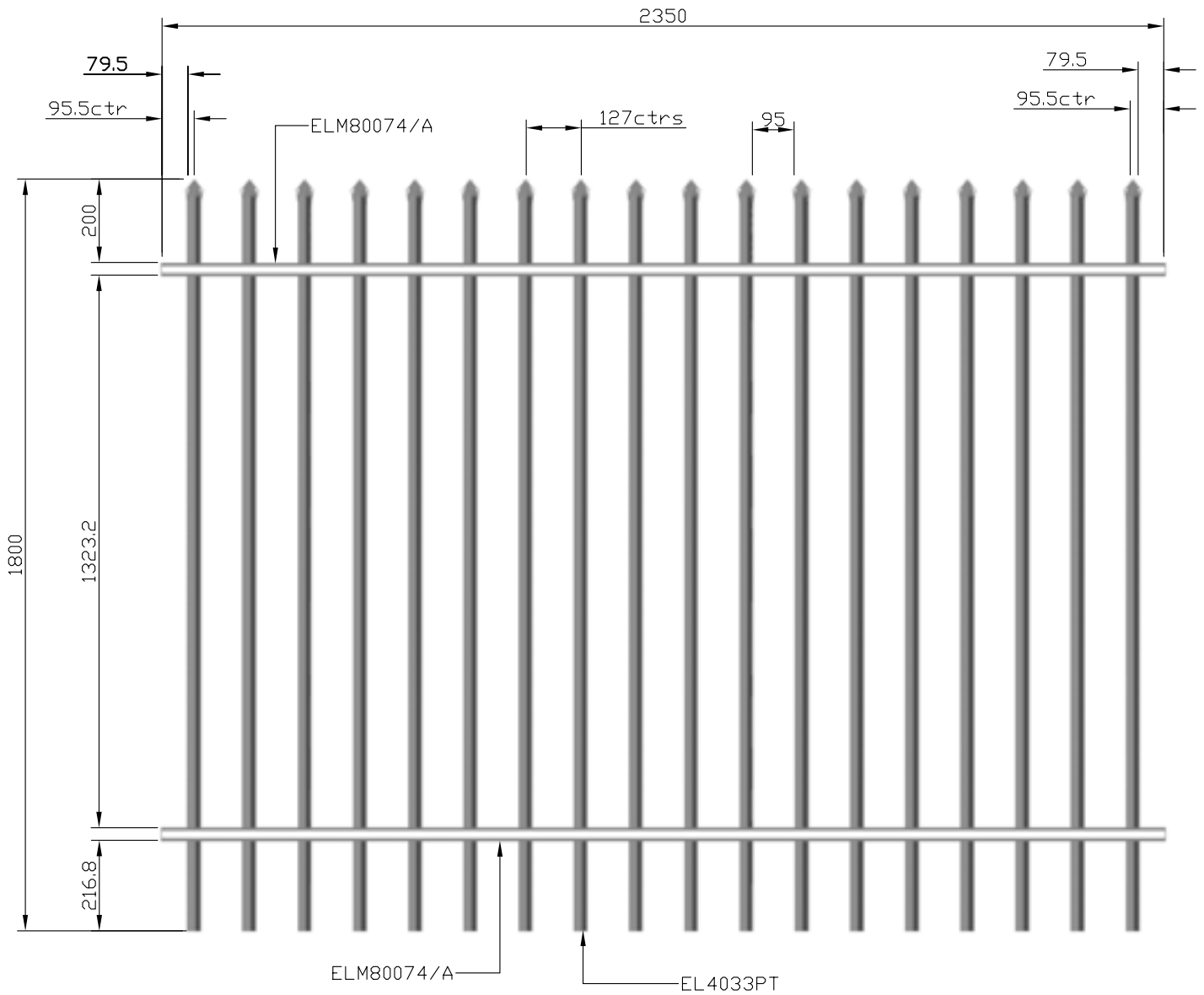
End View
2350x1500 Press Top Panel

Approved Pool Fencing
AS 1926-1 (1993)

Euro Loc Patented



Detailed 2350x1800 Press Top Panel

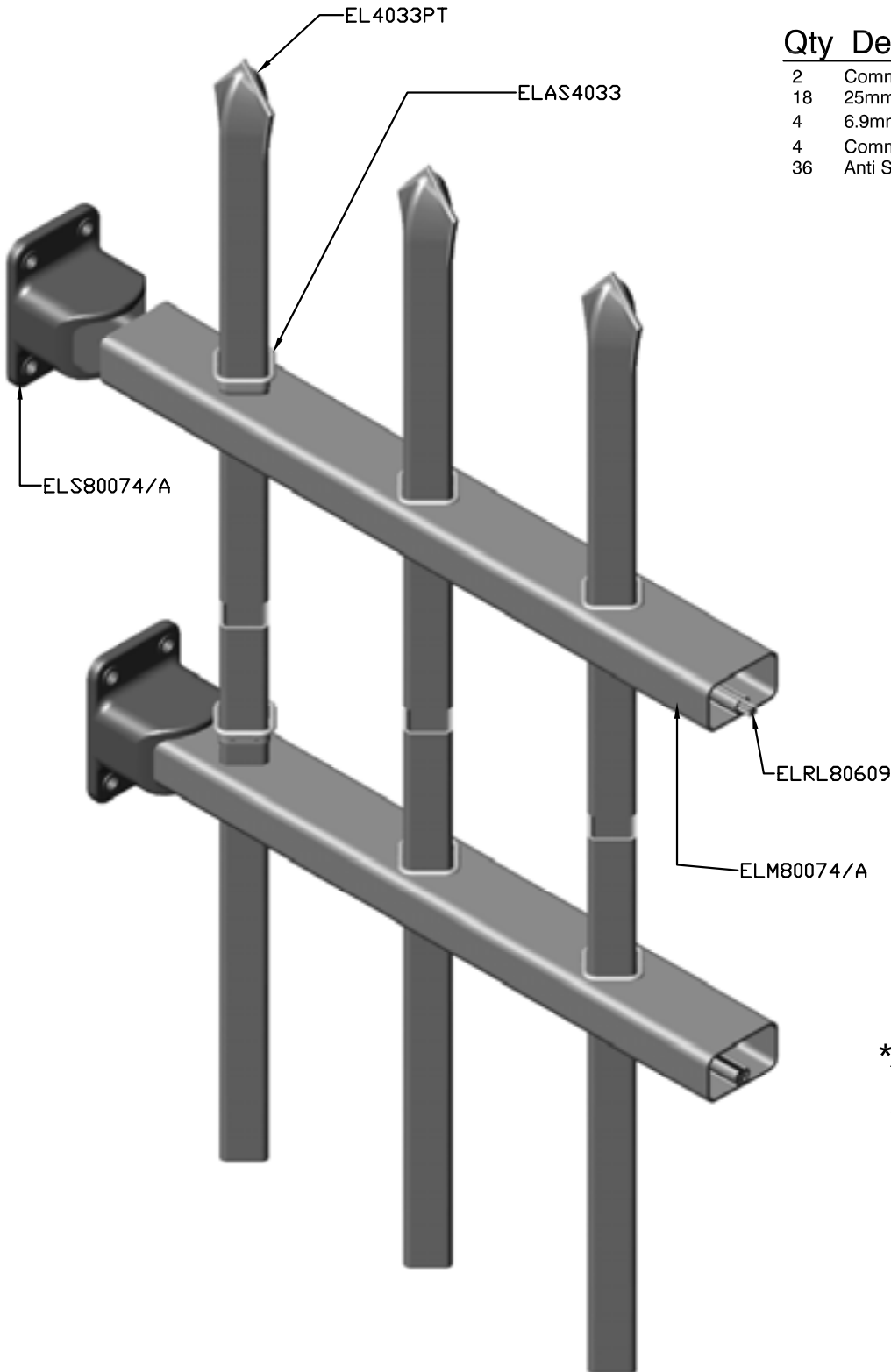




2350x1800 Press Top Panel

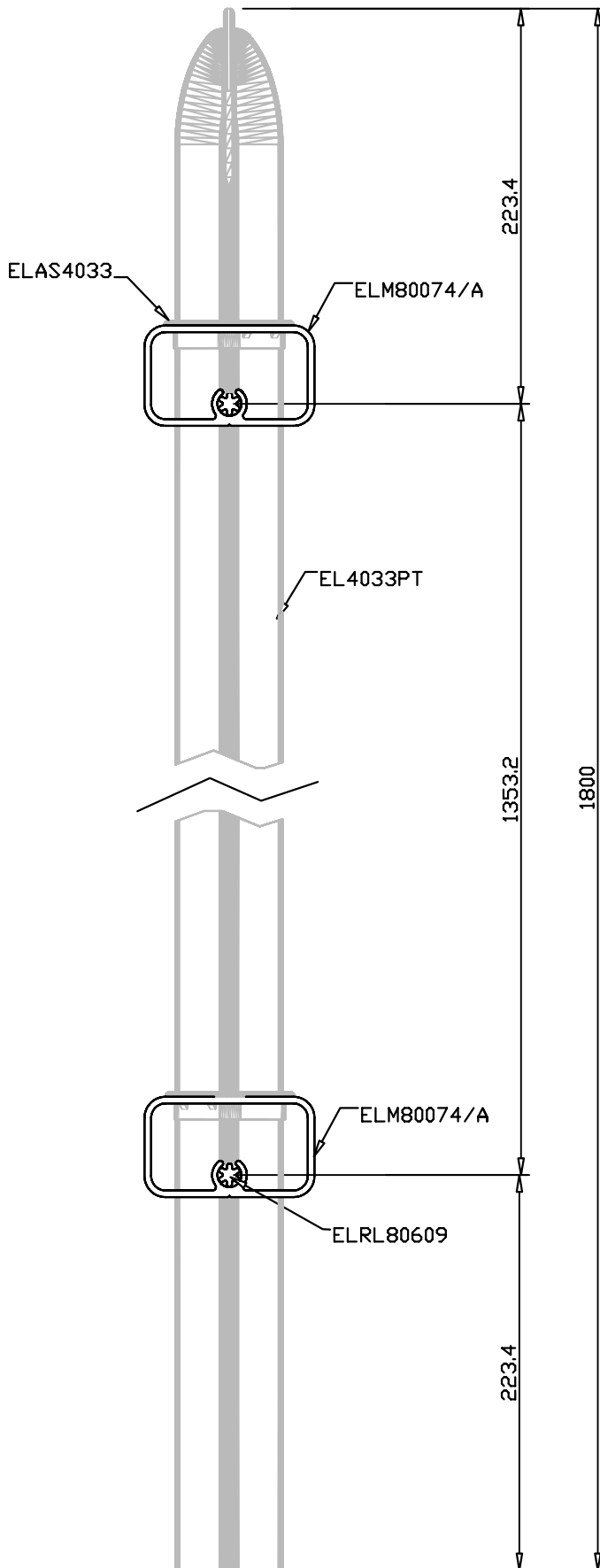
Parts

Qty	Description	Prod.No
2	Commercial Rail	ELM80074/A
18	25mm Press Top Baluster	EL4033PT
4	6.9mm Rod Loc	ELRL80609
4	Commercial Shroud	ELS80074/A
36	Anti Scratch Cap	ELAS4033



Approved Pool Fencing
AS 1926-1 (1993)

Euro Loc Patented



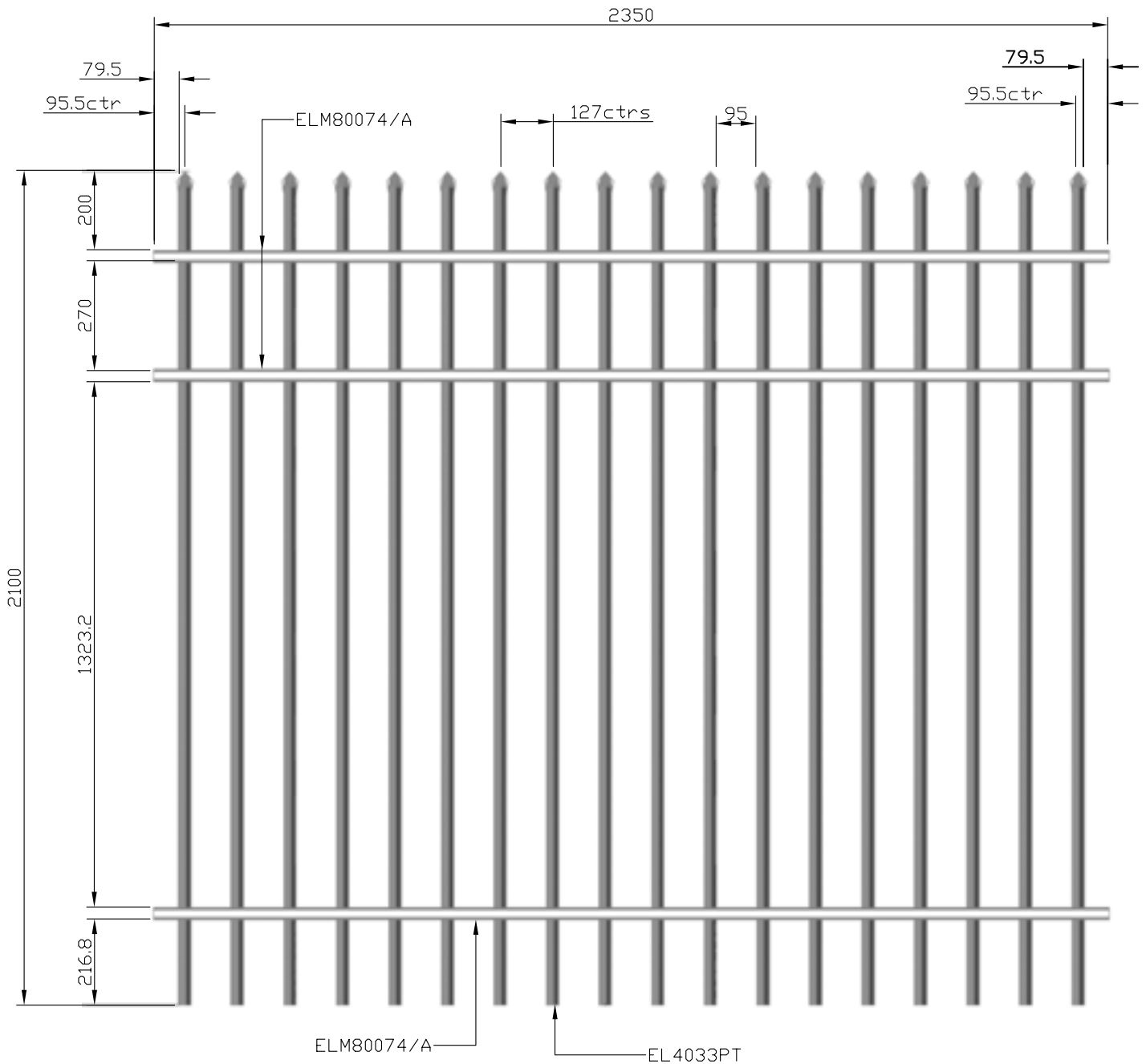
End View

2350x1800 Press Top Panel

Euro Loc Patented



Detailed 2350x2100 3 Rail Press Top Panel

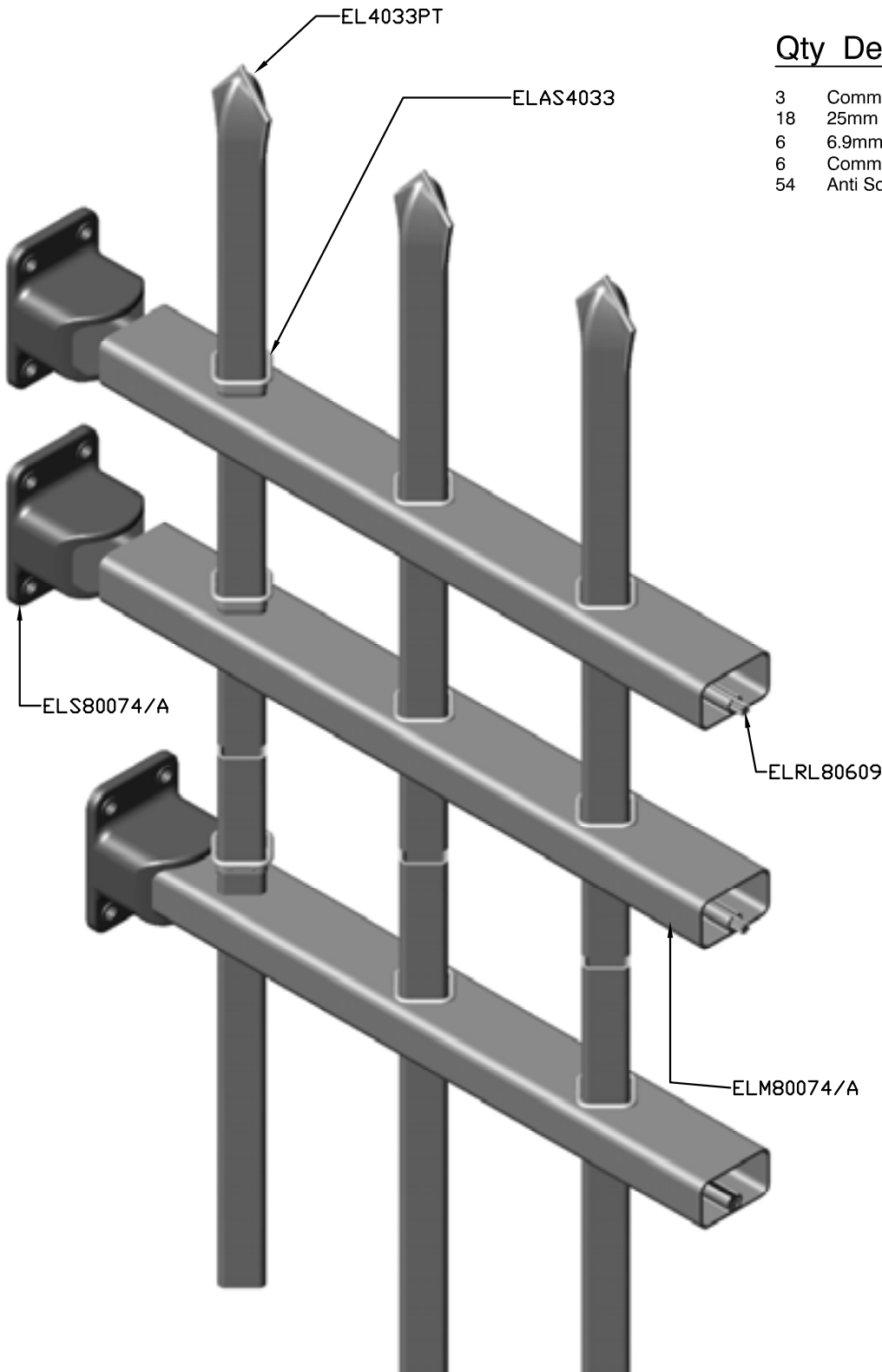




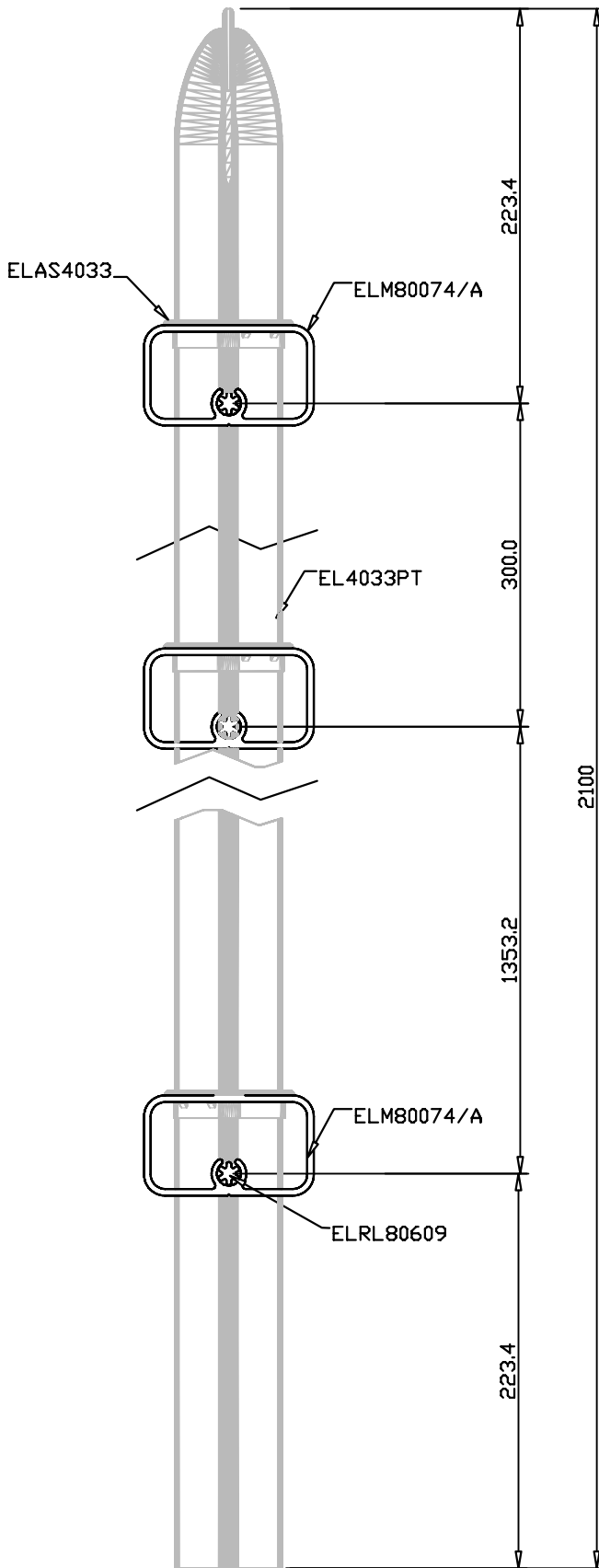
2350x2100 3 Rail Press Top Panel

Parts

Qty	Description	Prod.No
3	Commercial Rail	ELM80074/A
18	25mm Press Top Baluster	EL4033PT
6	6.9mm Rod Loc	ELRL80609
6	Commercial Shroud	ELS80074/A
54	Anti Scratch Cap	ELAS4033



Euro Loc Patented



End View

2350x2100 3 Rail Press Top Panel

Euro Loc

Commercial Fencing System



Comments

Euro Loc Patented

Commercial Fencing System



Product Warranty

Standard Warranty Conditions

Euro Loc Commercial Fencing System.

Extruded aluminium sections and profiles are in accordance with **AS/ NZ 1368**.

Surface finishing:- All Jotun powder coat surface finishing undertaken by Euro Loc Pty. Ltd. carry a maintainable service life of 10 years, film integrity of 10 years and colour integrity of 10 years. Designed to conform to Australian and New Zealand Standards **AS/NZ 3715**.

Cleaning:- Periodic cleaning is essential to maintain warranty and powder coat finish. If cleaned reasonably frequently then the mildest methods of washing will produce satisfactory results.

The following cleaning materials and procedures are listed in ascending order of harshness. The mildest treatment should be tried on a small area and if not satisfactory only should the next be examined-

Plain water,
Mild soap or detergent,
White spirit.

All warranty claims must be authorised by Euro Loc Pty. Ltd. before any remedial work is undertaken.

Euro Loc administration

Local contacts

Phone: 07-3396 2811.

Fax: 07-3396 4852.

Email: euroloc@optusnet.com.au

Euro Loc administration

International contacts

Phone: 61-07-3396 2811.

Fax: 61-07-3396 4852.

Email: euroloc@optusnet.com.au

Web site, www.euroloc.com.au

Euro Loc patented

Commercial Fencing System